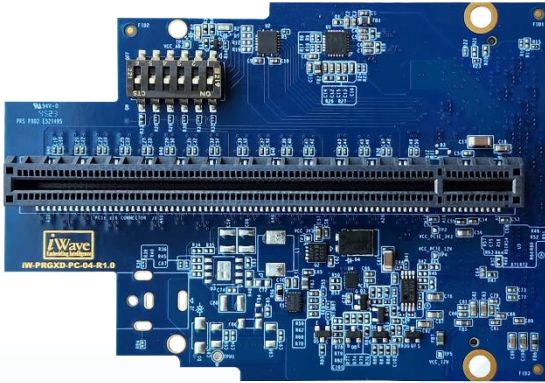


PCIe Gen4 x16 FMC+ Module



iWave's Gen4 x16 PCIe FMC+ Module is designed to meet VITA 57.4 FMC+ standard.

This FPGA Mezzanine Connector Plus (FMC+) Module support upto 16 lanes for PCI Express Root Complex and Endpoint Interface. A flexible 2-Bit clock source for PCIe x16 connector and Transceiver reference clock. Each of these 16 lanes is directly connected to four multigigabit serial transceivers banks of Vita 57.4 compliant carrier board.

HIGHLIGHTS

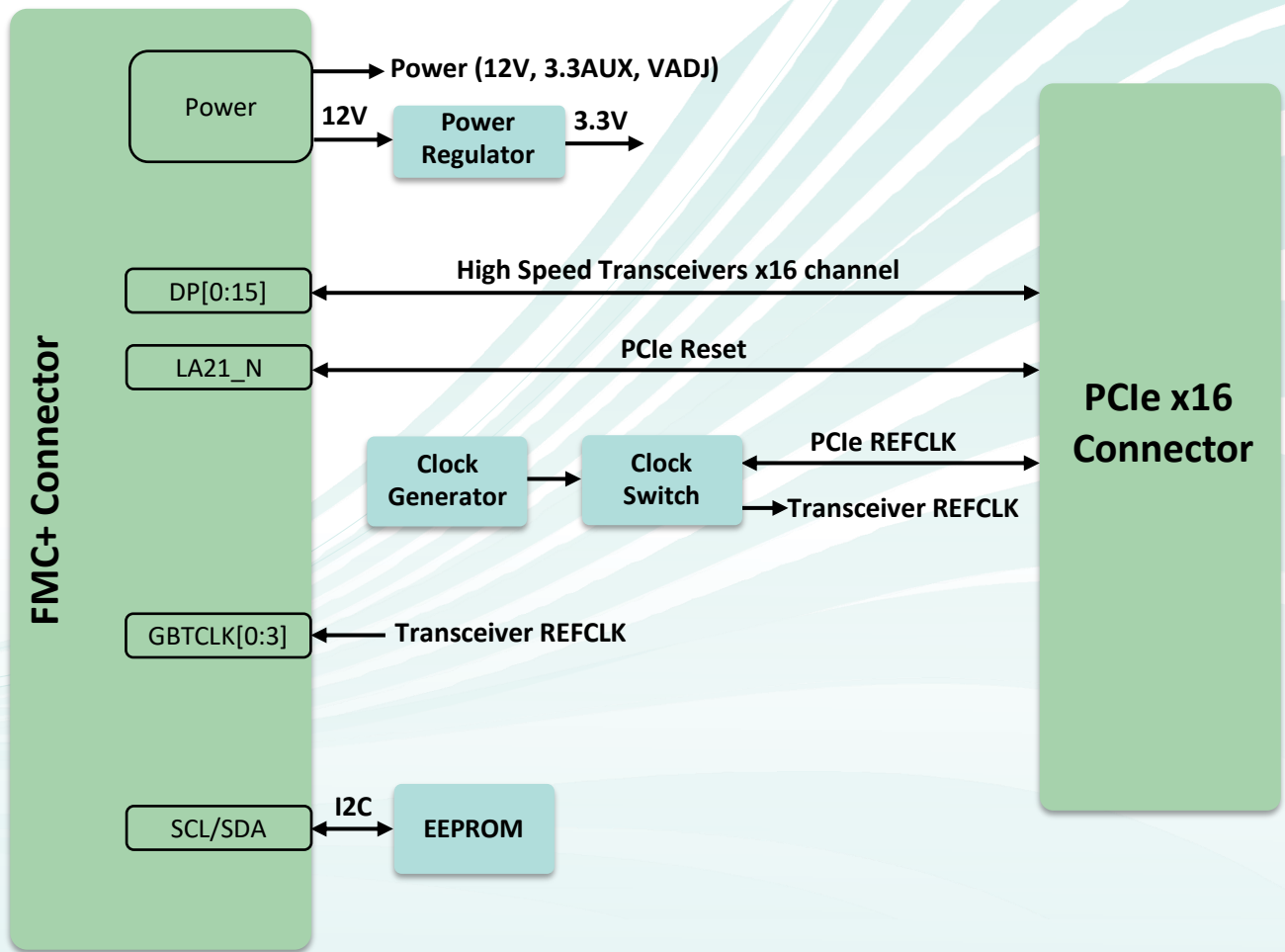
- VITA 57.4 FMC+ Connector
- PCI Express Gen4 x16 Root Port
- PCI Express Gen4 x16 Endpoint through cable
- 2-Bit Clock source for reference
- 32Kb EEPROM

SPECIFICATIONS

On Module Features
FMC+ Connector
VITA 57.4 FMC+ Connector
PCIe Connector
PCI Express Gen4 x16 Root Port
PCI Express Gen4 x16 Endpoint through Cable
Clock Source
2-bit clock for reference (100MHz)
EEPROM
32Kb EEPROM for VITA 57.4 Configuration Storage

Power
12V from FMC+ Connector
Operating Temperature
-40°C to +85°C (Industrial Grade)
Form Factor
98.5mm x 69mm
Compliance
RoHS Compliant
REACH Compliant

PCIe Gen4 x16 FMC+ Module Block Diagram



Note

- Supports PCIe x16 Root Port and End Point
- PCIe End point can be supported through external PCIe x16 edge to PCIe x16 edge cross over cable

iWave Systems Technologies is an ISO 9001:2015 certified company, head quartered in Bangalore India established in the year 1999. The company focuses on providing embedded solution and services for Industrial, Medical, Automotive and various other Embedded Computing applications. iWave Systems offers wide range of System On Modules and Single Board Computers built using wide range of CPU and FPGA SoC platforms with different form factors such as Qseven, SMARC, SODIMM and HPC by closely working with Tier-1 silicon companies such as NXP, Xilinx, Intel etc.

iWave Systems offers various state of art ready ODM solutions such as Connected Telematic Control Unit / OBD II devices for the automotive edge analytics, Comprehensive ARINC818 solutions for the low latency Aerospace applications and Rugged IP rated performance scalable HMI solutions for Industrial applications. iWave Systems also provides comprehensive Engineering design services involving Embedded Hardware, FPGA and Software development. iWave offers carrier board and custom hardware development with manufacturing and certification services. iWave's Hardware expertise spans complex board design up to 30 layers; Analog, Digital & RF Designs; FPGA Development up to 3+ million gates and VHDL / Verilog RTL Development & Verification. Our Software expertise ranges from OS Porting, Firmware & Device Drivers Development and Wireless & Protocol

**Optional items not included in the standard deliverables.*

Note: iWave reserves the right to change these specifications without notice as part of iWave continuous effort to meet the best in breed specification. The registered trademarks are proprietary of their respective owners.

PCIe Gen4 x16 FMC+ Module

The device can be ordered online from the iWave Website

<https://www.iwavesystems.com/product/pci-gen4-x16-fmc-module/>

Or from our Local Partners in your region

<http://www.iwavesystems.com/about-us/business-partner.html>