

iW- Alpha Blender is used when two video sources have to be viewed at the same time. It is a process of combining an image with a background to create the appearance of partial or full transparency. This core can be easily integrated into video, medical, commercial and entertainment kind of applications which use LCD display.

Highlights

- Alpha value is programmable from the software

Features

- Blend 2 video source
- Input format for both the video source: RGB/YCbCr 4:4:4
- Software programmable Alpha value
- Pipelined multiplier
- Latency of 3 clocks

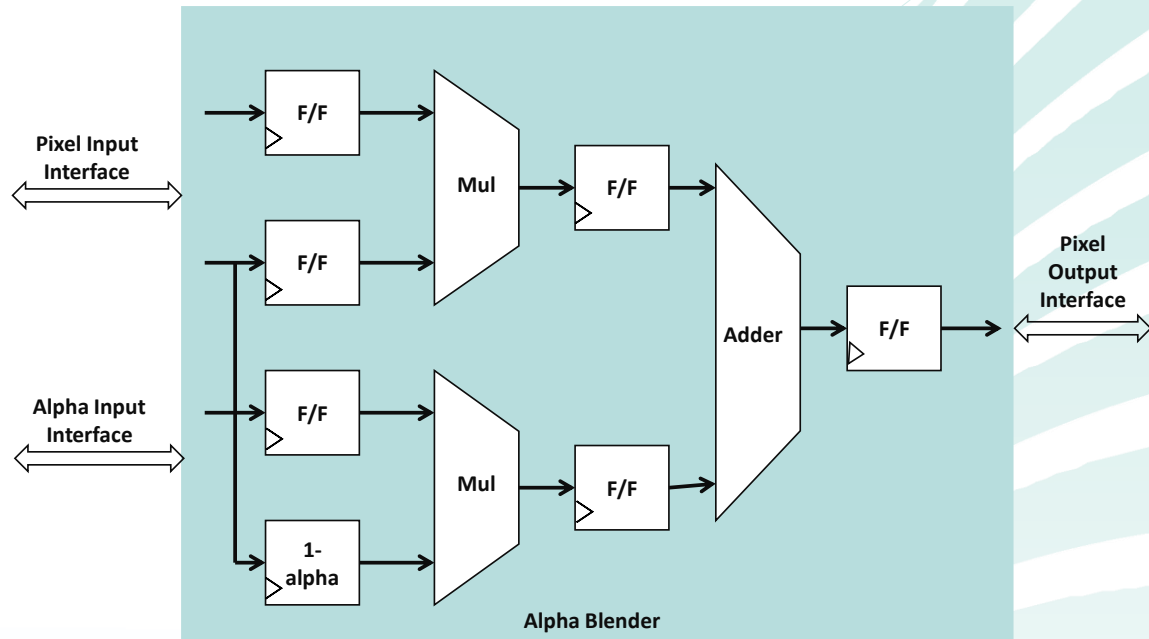
Core Benefits

- Can be used in On Screen Display and Picture in Picture applications
- Simple design makes it easier to integrate in many FPGA families

Applications

- Used in all kinds of video processing systems.

iW - Alpha Blender IP block diagram



Deliverables

- RTL source code or Netlist
- IP example design
- IP datasheet
- Integration Manual

Licensing Options

- Non-Transferable: Single Project/Product Netlist License – Single Site or Multi Site
- Non-Transferable: Multi Project /Product Netlist License – Single Site or Multi Site
- Non-Transferable: Single Project/Product RTL Source Code License – Single Site or Multi Site
- Non-Transferable: Multi Project/Product RTL Source Code License – Single Site or Multi Site

Technical Support

iWave provides comprehensive support during your system integration & validation.

- The Client may open a new support incident by emailing to a technical support engineer
- iWave's response time shall be within 24 hours of the initial call, with the details of the action plan to resolve
- Support assistance shall be delivered by telephone, email and/or remote assistance via a web meeting
- iWave shall provide remote debugging support irrespective of the time zone/ region

iWave Systems, a leading FPGA design house enhances your design productivity by providing an extensive suite of proven, optimized and easy-to-use FPGA IP Cores along with reference designs to complement and quicken your applications development. Our extensive suite of IP Cores covers all key markets and applications. Along with the rich set of FPGA IP cores, iWave offers custom FPGA designs tailored to meet the client specifications which includes RTL Design, Integration of iWave's or 3rd Party IP Cores on our FPGA SOMs with Carrier Card/ Custom Hardware/ Off-the-Shelf Evaluation Kits to provide end-to-end solutions targeting Low-Power, High-Performance and Optimized Designs

iW - Alpha Blender FPGA IP

The IP can be ordered online from the iWave Website <http://www.iwavesystems.com/product/alpha-blender/>
Or from our Local Partners in your region <http://www.iwavesystems.com/about-us/business-partner.html>

INDIA

iWave Systems Tech. Pvt. Ltd.,
7/B, 29th Main, BTM Layout
2nd Stage, Bangalore-560076
Email: mktg@iwavesystems.com

JAPAN

iWave Japan, Inc.
8F-B, Kannai Sumiyoshi Building,
3-29, Sumiyoshi-cho, Naka-ku,
Yokohama, Kanagawa, Japan.
mktg@iwavesystems.com

EUROPE

International Sales & Marketing Europe
Venkelbaan 55 2908KE Capelle
aan den IJssel
The Netherlands
info@iwavesystems.eu

USA

iWave USA
1692 Westmont Ave.,
Campbell, CA95008
USA
info@iwavesystems.us