

iWave's ARINC 667 P7 IP is an Ethernet Technology that provides a deterministic network to build an ARINC 667 P7 end system with guaranteed service to each subscriber with free access to the network. This protocol offers dedicated bandwidth for each node with a guaranteed quality of service. iWave offers high integrity and redundancy management, as well as UDP/IP, profiled communication layer implemented in hardware.

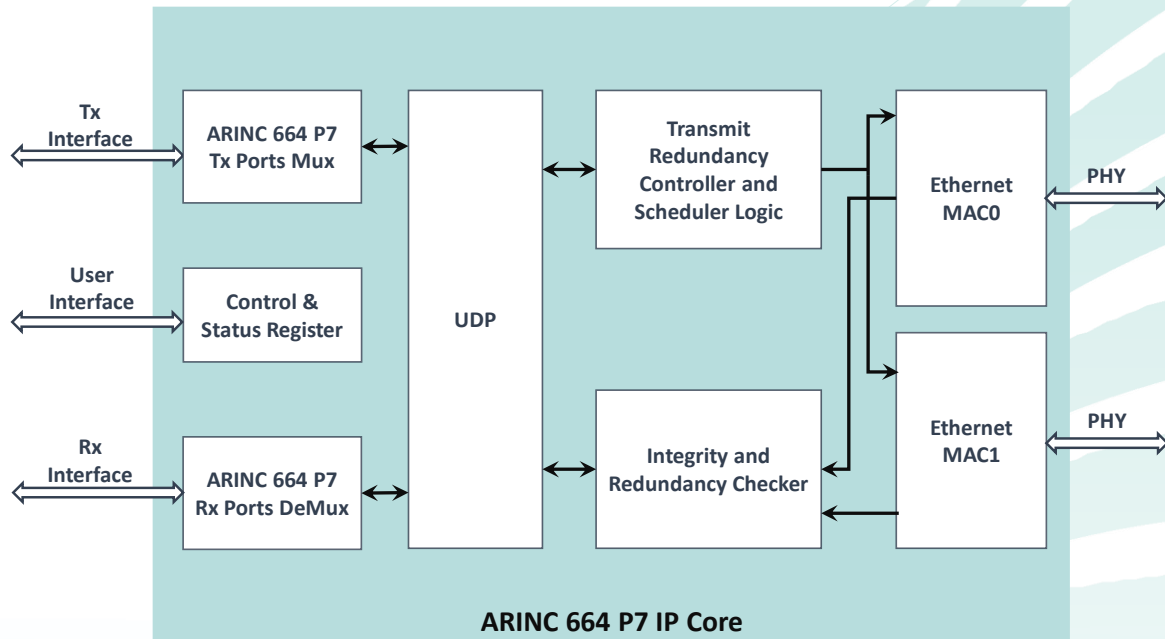
Highlights

- Implements the ARINC 667 P7 End System
- Supports Virtual link management
- Supports up to 8 transmit and receiving ports
- Implement Redundancy functionality at the Transmit side
- Integrity checker and Redundancy management at the Receive side

Features

- Transmission Operation
 - Supports up to 8 virtual transmission links (VL)
 - Supports 1 port per VL
 - Supports up to 8 transmit ports in total
 - Supports BAG values of 1ms, 2ms, 4ms, 8ms, 16ms, 32ms, 64ms and 128ms
- Receiver Operation
 - Supports up to 8 virtual reception links (VL)
 - Supports 1 port per VL
 - Supports up to 8 receive ports in total
- Supports queuing ports
- Supports Transmit Redundancy functionality
- Supports Receive Redundancy Check functionality for each VL
- Supports AXI-4 stream interface for user data transmission and reception
- Supports AXI-4 Lite interface for updating the Control and Status Register

iW – ARINC 664 P7 IP block diagram



Deliverables

- Netlist
- IP example design
- IP datasheet
- Integration Manual

Licensing Options

- Non-Transferable: Single Project/Product Netlist License – Single Site or Multi Site
- Non-Transferable: Multi Project/Product Netlist License – Single Site or Multi Site

Technical Support

iWave provides comprehensive support during your system integration & validation.

- The Client may open a new support incident by emailing to a technical support engineer
- iWave’s response time shall be within 24 hours of the initial call, with the details of the action plan to resolve
- Support assistance shall be delivered by telephone, email and/or remote assistance via a web meeting
- iWave shall provide remote debugging support irrespective of the time zone/ region

iWave Systems, a leading FPGA design house enhances your design productivity by providing an extensive suite of proven, optimized and easy-to-use FPGA IP Cores along with reference designs to complement and quicken your applications development. Our extensive suite of IP Cores covers all key markets and applications. Along with the rich set of FPGA IP cores, iWave offers custom FPGA designs tailored to meet the client specifications which includes RTL Design, Integration of iWave’s or 3rd Party IP Cores on our FPGA SOMs with Carrier Card/ Custom Hardware/ Off-the-Shelf Evaluation Kits to provide end-to-end solutions targeting Low-Power, High-Performance and Optimized Designs

iW - ARINC 664 P7 FPGA IP

The IP can be ordered online from the iWave Website <http://www.iwavesystems.com/product/arinc-664-afdx-ip/>
Or from our Local Partners in your region <http://www.iwavesystems.com/about-us/business-partner.html>

INDIA

iWave Systems Tech. Pvt. Ltd.,
7/B, 29th Main, BTM Layout
2nd Stage, Bangalore-560076
Email: mktg@iwavesystems.com

JAPAN

iWave Japan, Inc.
8F-B, Kannai Sumiyoshi Building,
3-29, Sumiyoshi-cho, Naka-ku,
Yokohama, Kanagawa, Japan.
mktg@iwavesystems.com

EUROPE

International Sales & Marketing Europe
Venkelbaan 55 2908KE Capelle
aan den IJssel
The Netherlands
info@iwavesystems.eu

USA

iWave USA
1692 Westmont Ave.,
Campbell, CA95008
USA
info@iwavesystems.us